



Precision Plumbing Products

"Specify with Confidence - Install with Pride"

Fire Rated Laundry Box Installation

INSTALLATION:

The Laundry Box is supplied with valves and water hammer arrestors. The plastic box has a 2" DWV female fitting where the drain pipe should be pushed through and solvent welded into the plastic tailpiece.

Position the box between studs to desired height. Nail or screw the mounting ears to the studs.

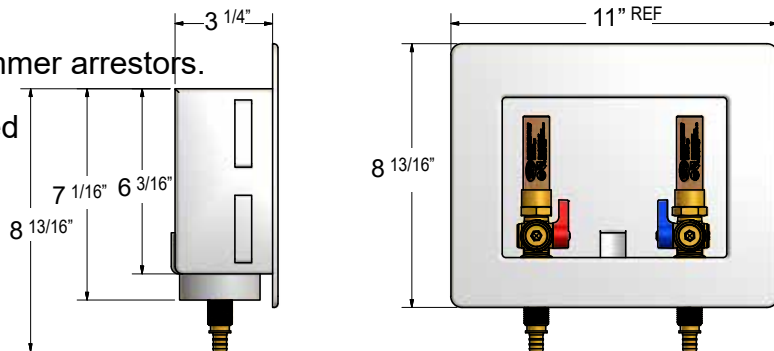
Slide the box out until the front side of the box will be flush with the first layer of sheetrock or fire board.

Tighten the mounting ears screws firmly. This must be done prior to sheetrock installation. Sheetrock thickness (3/8", 1/2", and 5/8").

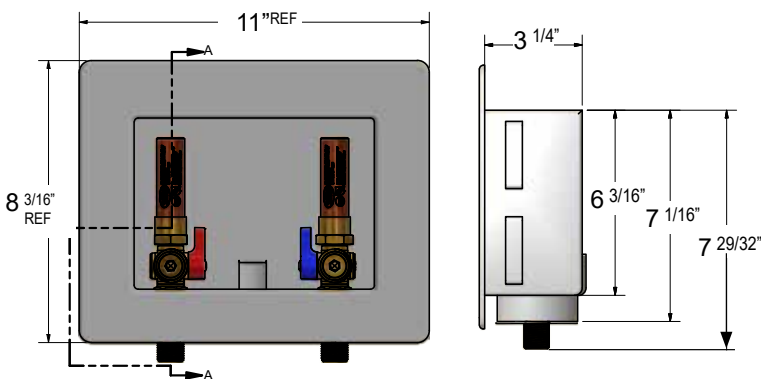
Install drain pipe.

Make plumbing connections to both the hot and cold valves.

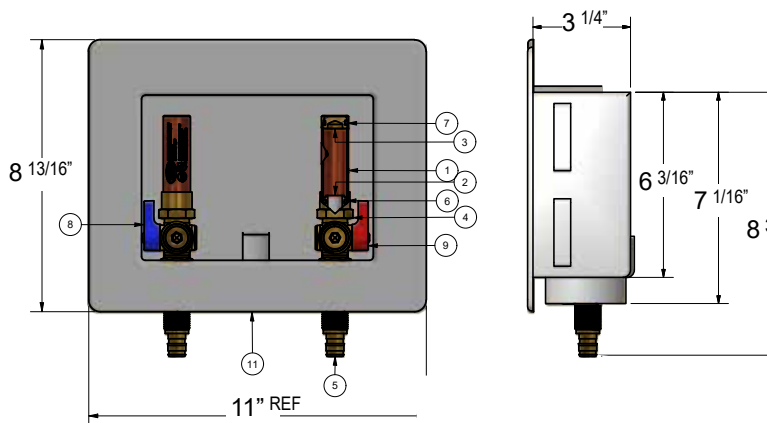
USE CAUTION WHEN APPLYING HEAT DURING THE PLASTIC LAUNDRY BOX INSTALLATION.



Plastic Fire Rated Laundry Box with PEX Fitting  
**MM-500PLBFR-PEX**



Plastic Fire Rated Laundry Box  
**MM-500PLBFR**



Plastic Fire Rated Laundry Box with PEX19 Fitting

**MM-500PLBFR-PEX19**



Precision Plumbing Products

Division of JL Industries, Inc.

802 SE 199th Ave  
Portland, Oregon 97233  
T (503) 256-4010  
F (503) 253-8165  
www.pppinc.net

NSF/ANSI 61 Certified.

