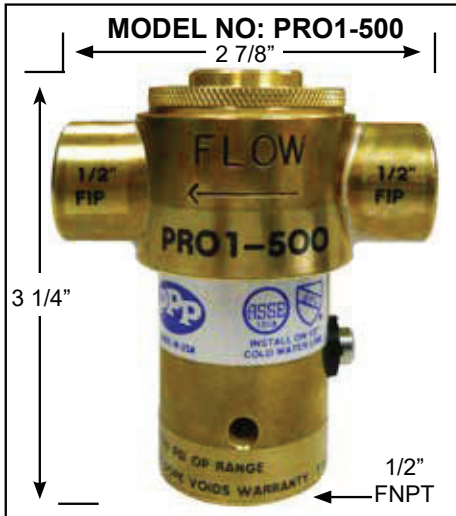




**Precision Plumbing Products**  
*"Specify with Confidence - Install with Pride"*

**LEAD FREE**

**PRIME-PRO™  
 INSTALLATION/SUBMITTAL**



AB1953 Compliant.

FLOOR DRAIN TRAP PRIMER DIST. CHART		
# of Drains	Supply Tube	Dist. Units
1	N/A	N/A
2	N/A	DU-4/DU-U
3	N/A	DU-4/DU-U
4	N/A	DU-4/DU-U

**PROJECT SUBMITTAL**

Project: \_\_\_\_\_

Contractor: \_\_\_\_\_

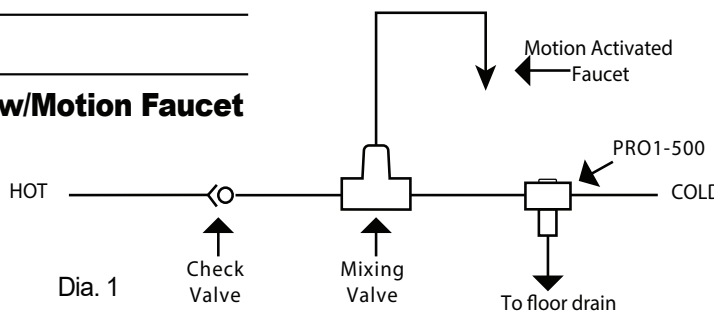
Engineer: \_\_\_\_\_

Date Submitted: \_\_\_\_\_

Prepared By: \_\_\_\_\_

**Installation diagram w/Motion Faucet**

When using the PRO1-500 with a motion activated faucet, a check valve from the hot water source to the mixing valve is recommended. See diagram 1.



**INSTALLATION INSTRUCTIONS PRO1-500 FLOOR DRAIN TRAP PRIMER**

- 1) Flush supply line prior to installation.
- 2) Use ribbon pipe seal tape - ONLY. Install valve plumb, observing the flow direction marked on the valve. **Do not over tighten.**
- 3) The valve is recommended to be installed a minimum of 12" (305mm) above the finished floor, before a 90° elbow can be installed.
- 4) Do not install the valve where line pressures exceed 80 PSIG. This valve should never be installed on a hot water line. Install on a cold fresh water line **ONLY.**
- 5) Effective operating range 20 to 80 PSIG (138 to 552kpa).
- 6) Failure to follow these instructions will make the product warranty null and void.
- 7) The valve must not be installed on a bypass.
- 8) Manufacturer recommends that the make-up water line to the P-trap must have a continuous slope. (Consult local code requirements.)
- 9) Furthest recommended distance of makeup line is 20' of horizontal line to the floor drain.
- 10) Minimum .25 gpm flow rate required.
- 11) Although this valve has been factory set, circumstances may dictate the need for further adjustment in the field.

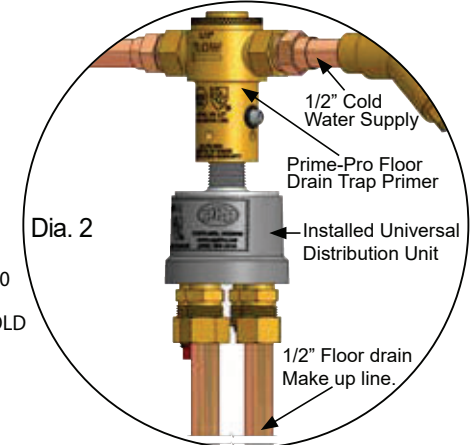
- A:** To adjust: Using 3/16" hex key, turn adjusting screw clockwise until steady flow is produced.
- B:** Continue turning screw slowly clockwise until flow just stops.
- C:** Cycle fixture at least five times to ensure proper discharge activity.

**Prime-Pro™ Discharge Info:**

Minimum discharge rate when flow is activated for 5 seconds at 20 PSI is 0.845 oz.  
 Minimum discharge rate when flow is activated for 5 seconds at 80 PSI is 1.65 oz.  
 Minimum in-line flow through the valve is .25 gpm. Maximum 7 gpm.

**Materials of Construction:**

Body: C68020 lead-free brass  
 Cap: C69300 lead-free ECO brass  
 Check Valve: Neoperl  
 Check Valve Adapter: Grey PVC  
 O-Rings: Nitrile  
 Screen: Stainless Steel



US PATENT NO. 8,671,970  
 CAN PATENT NO. 2,762,879



**Precision Plumbing Products**

802 SE 199th Avenue  
 Portland, Oregon 97233  
 T (503) 256-4010  
 F (503) 253-8165  
 www.pppinc.net

