



**Precision Plumbing Products**

*"Specify with Confidence - Install with Pride"*

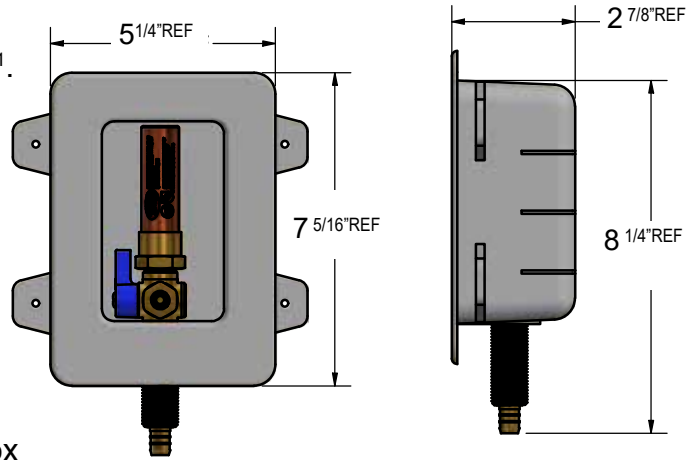
**FIRE RATED PLASTIC ICE MAKER BOXES**

**INSTALLATION:**

1. Position the box against the stud at the desired height<sup>1</sup>.
2. Use two nails or screws per bracket to secure the fire-rated icemaker box to the front side of studs.
3. Connect the valves to the supply line.
4. When installing drywall<sup>2</sup>, cut an 3-15/16" wide by 5-5/16" high opening to allow for the box. Any gap between the drywall and side of box must be filled with drywall compound.
5. Insert the faceplate into the box and press it flush with the drywall.

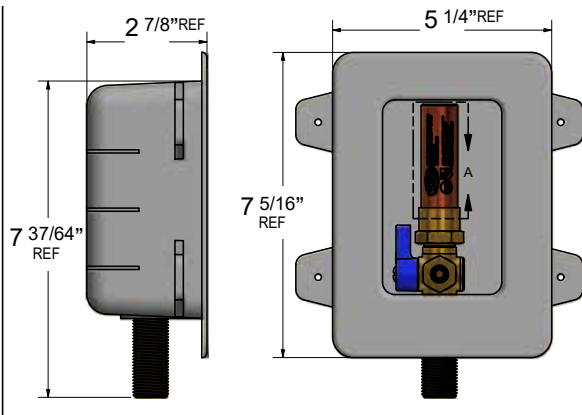
**\*\*Notes:**

1. Do not install two boxes back to back.
2. For a 1 or 2 hour fire rating, the FireRated Icemaker box must be installed in the corresponding Gypsum board. The wall cavity must have a min. 3-1/2" cavity depth.
3. Store FireRated Icemaker Boxes in a cool, dry and protected place.
4. Assembly tested to ASTM E 814.
5. Product certified for both metal and wood studs.



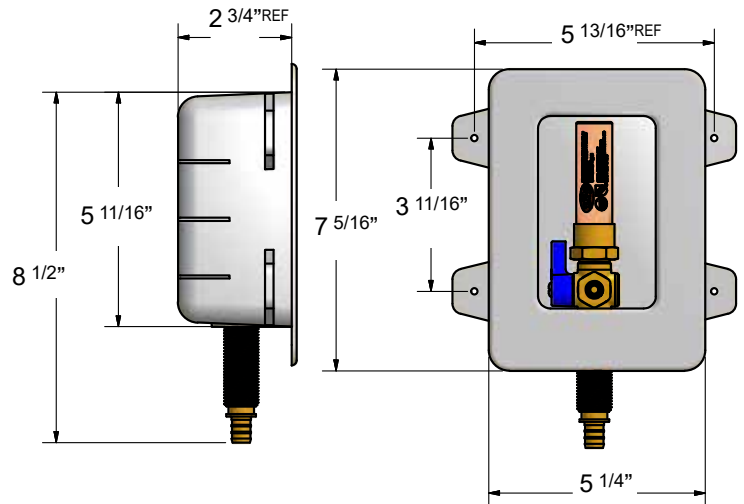
**Plastic Fire Rated Ice Maker Box with PEX Fitting**

**MM-500PIMBFR-PEX**



**Plastic Fire Rated Ice Maker Box**

**MM-500PIMBFR**



**Plastic Fire Rated Ice Maker Box with PEX19 Fitting**

**MM-500PIMBFR-PEX19**



**Precision Plumbing Products**

Division of JL Industries, Inc.

802 SE 199th Ave  
 Portland, Oregon 97233  
 T (503) 256-4010  
 F (503) 253-8165  
 www.pppinc.net

NSF/ANSI 61  
 Certified.

