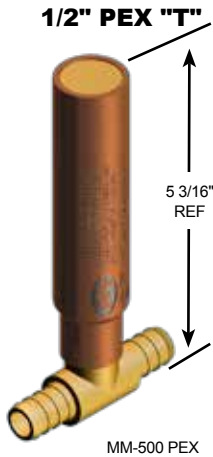




Precision Plumbing Products
"Specify with Confidence - Install with Pride"

**MINI - MAX
 "AA" WATER HAMMER ARRESTOR**

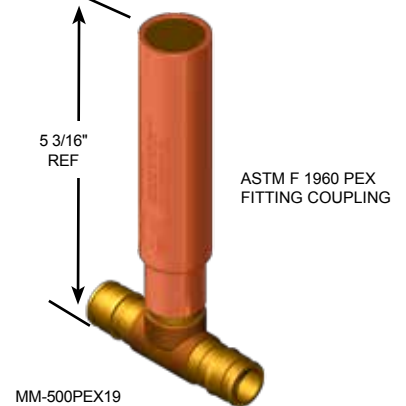
www.pppinc.net



LEAD FREE

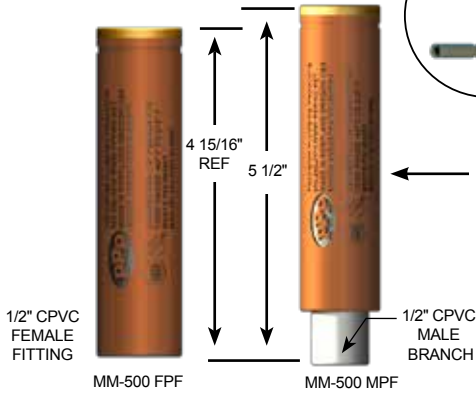


UPONOR MINI ADAPTER

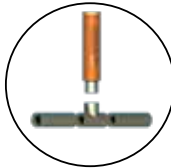


LEAD FREE

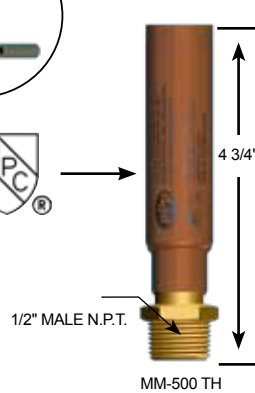
1/2" CPVC FITTING



LEAD FREE

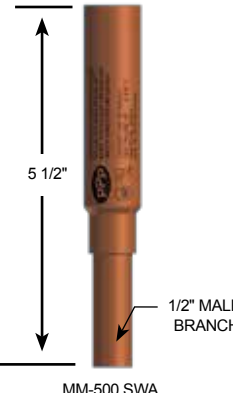


1/2" MIP MINI

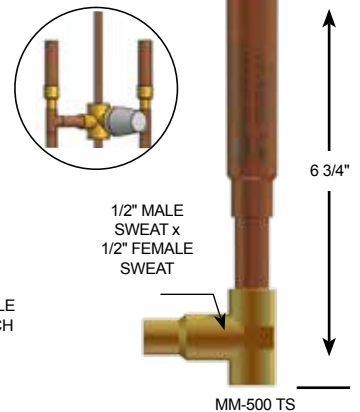


LEAD FREE

1/2" SWEAT MINI



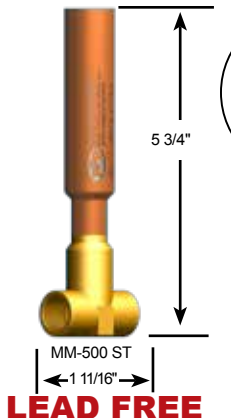
TUB & SHOWER MINI



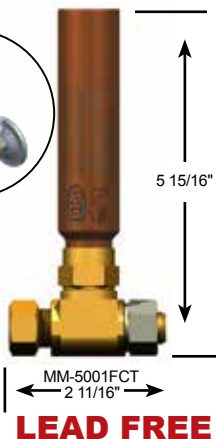
LEAD FREE

3/8" FEMALE COMP "T"

1/2" SWEAT "T"

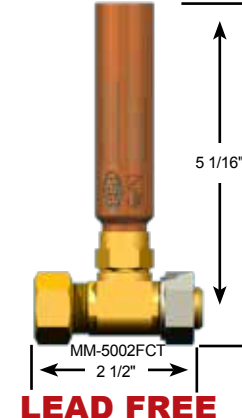


LEAD FREE



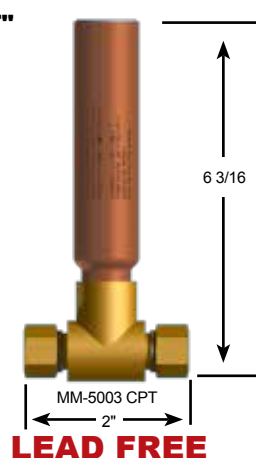
LEAD FREE

5/8" FEMALE COMP "T"

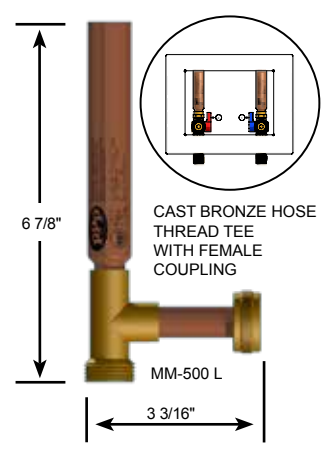


LEAD FREE

3/8" COMPRESSION "T" LAUNDRY MINI



LEAD FREE



CAST BRONZE HOSE
 THREAD TEE
 WITH FEMALE
 COUPLING

SPECIFICATIONS

MAINTENANCE: Maintenance free – the piston is the only moving part.

TEMPERATURE RANGE: -40°F to + 212°F (-4.4°C to + 100°C)

CONSTRUCTION: Barrel-fabricated of type “L” hard drawn copper.

Cap: Machined of free turning brass.

Piston: Polycarbonate Dow Calibre 2061-15 MFR.

Seals: “O”rings: EPDM.

Seal Lubricant: Dow-Corning Silicone Compound #111, FDA listed for use in potable water systems.

OPERATING PRESSURE: Designed to operate on all domestic and commercial systems. Normal operating pressure 35 to 125 PSIG. Max Spike pressure 250 PSIG.

LAUNDRY OR ICE MAKER WITH ARRESTORS



PROJECT SUBMITTAL

Project: _____

Contractor: _____

Engineer: _____

Date Submitted: _____

Prepared By: _____

P/N	DESCRIPTION	DIMENSIONS:
MM-500 MIMB	METAL ICE MAKER BOX	5-3/4"W x 5-1/4"H x 2-1/2"D
MM-500 MLB	METAL LAUNDRY BOX	8-1/4"W x 6"H x 3-1/2"D
MM-500 PIMB	PLASTIC ICE MAKER BOX	5-1/4"W x 5-1/4"H x 2-1/2"D
MM-500 PLB	PLASTIC LAUNDRY BOX	7-3/4"W x 6-3/4"H x 3"D
MM-500 PIMBFR	PLASTIC ICE MAKER BOX (Fire Rated)	3-7/8"W x 5-11/16"H x 2-13/16"D
MM-500 PLBFR	PLASTIC LAUNDRY BOX (Fire Rated)	8-3/16"W x 7-1/16"H x 3-5/16"D

Specify drain position when ordering laundry box assemblies.



Precision Plumbing Products

Division of JL Industries, Inc.

802 SE 199th Ave
Portland, Oregon 97233

T (503) 256-4010
F (503) 253-8165
www.pppinc.net



Recommended by the Ohio Plumbing Advisory Board



Patent No 3,633,627



Approved by the Wisconsin Department of Industry Labor and Human Relations