



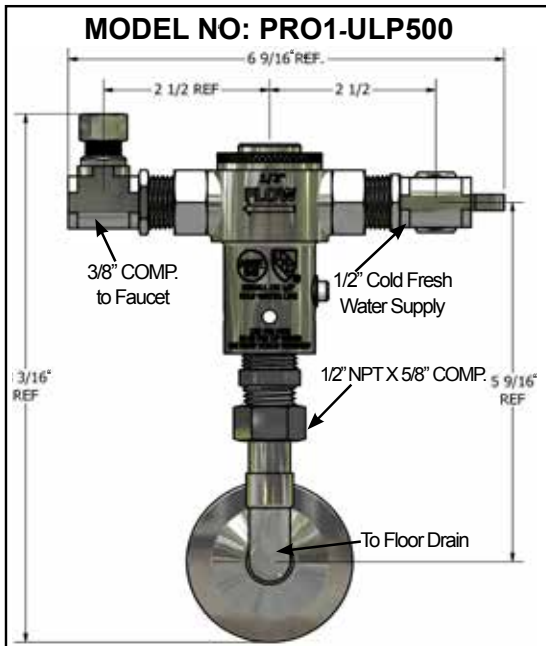
Precision Plumbing Products

"Specify with Confidence - Install with Pride"

LEAD FREE

**UNDER-LAV TRAP PRIMER VALVE
CHROME PLATED ASSEMBLY SUBMITTAL**

www.pppinc.net



Chrome Plated items:

- Angle stop w/ 5/8" comp. fitting
- 3/8" comp. Lav supply fitting
- 1/2" NPTx 5/8" comp.
- 1/2" I.D. copper tube
- Escutcheon

Bill of materials:

- Body and Cap: Chrome Plated
- Check Valve: Neoperl
- O-Rings: Nitrile
- Screen: Stainless Steel

Under-Lav Trap Primer Discharge Info:

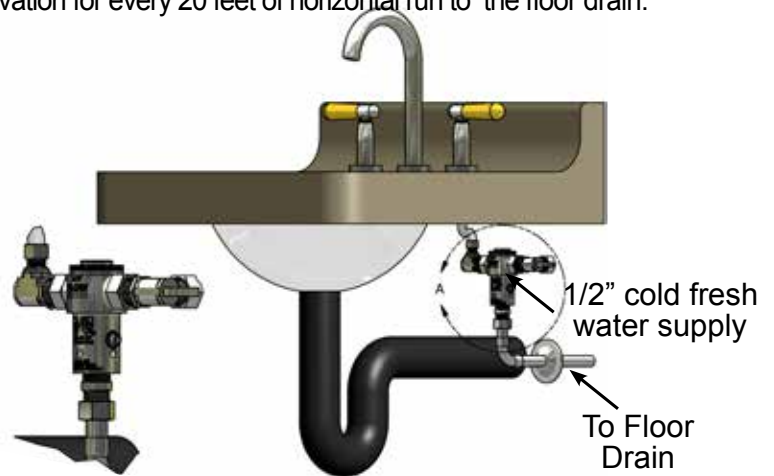
Minimum discharge rate when flow is activated for 5 seconds at 20 PSI is 0.845 oz.
 Minimum discharge rate when flow is activated for 5 seconds at 80 PSI is 1.65 oz.
 Minimum in-line flow through the valve is .5gpm. Maximum 7 gpm.

The Priming valve is recommended to have a minimum elevation of 12" (305mm) above the finished floor and is recommended to be installed a minimum of 12" (305mm) above the finished floor, before a 90° elbow can be installed. Allow 1 foot of elevation for every 20 feet of horizontal run to the floor drain.

Meets requirements of AB 1953.

INSTALLATION INSTRUCTIONS PRO1-ULP500

- 1) Flush supply line prior to installation.
- 2) Use ribbon pipe seal tape - ONLY. Install valve plumb, observing the flow direction marked on the valve. **Do not over tighten.**
- 3) The valve must be installed a minimum of 12" (305mm) above the finished floor.
- 4) Do not install the valve where line pressures exceed 80 PSIG. **This valve should never be installed on a hot water line. Install on a cold fresh water line ONLY.**
- 5) Effective operating range 20 to 80 PSIG (138 to 552kpa).
- 6) The valve must not be installed on a bypass.
- 7) Failure to follow these instructions will make the product warranty null and void.
- 8) Manufacturer recommends that the make-up water line to the P-trap must have a continuous slope. (Consult local code requirements.)
- 9) Minimum .5 gpm flow rate required.



PROJECT SUBMITTAL

Project: _____

Contractor: _____

Engineer: _____

Date Submitted: _____

Prepared By: _____



Precision Plumbing Products

Division of JL industries, inc.
 802 SE 199th Avenue
 Portland, Oregon 97233
 T (503) 256-4010
 F (503) 253-8165
 www.pppinc.net

US PATENT # 8,671,970
 CANADIAN PATENT # 2 762 879

