



Precision Plumbing Products

“Specify with Confidence - Install with Pride”

METAL LAUNDRY BOX WITH WATER HAMMER ARRESTORS

www.pppinc.net

Precision Plumbing Products has designed a plastic Laundry box assembly that makes your application simple and cost effective. Solenoid operated laundry equipment can create destructive water hammer due to quick closing valves on the fill cycle. Water hammer can damage or even break your hose connections as well as destroy the solenoid valve. To avoid this common household problem hook your washing machine hose connectors to the quarter turn ball valve in our laundry box assembly with water hammer arrestors and rest easy.



MM-500MLB



MM-500MLB-PEX



MM-500MLB-PEX19

Features:

- Available in Metal, Plastic and Fire Rated Box Options
- Simple Installation
- Cost Effective
- NSF/ANSI 61

Boxes are supplied with water hammer arrestors and quarter turn valves. Boxes include necessary mounting brackets and faceplate. Metal boxes include a 2” rubber drain pipe coupling and are constructed of 20 gauge steel with a white powder coat. (Note: Box dimensions may vary slightly from drawings).

Project: _____

Contractor: _____

Engineer: _____

Date Submitted: _____

Prepared By: _____



JL Industries, inc.

Precision Plumbing Products

Division of JL Industries, Inc.

802 SE 199th Ave
 Portland, Oregon 97233
 T (503) 256-4010
 F (503) 253-8165
 www.pppinc.net



SPECIFICATIONS & INSTALLATIONS

INSTALLATION:

The Laundry Box is supplied with valves and water hammer arrestors. A 2" rubber drain pipe grommet is included with the metal box assembly.

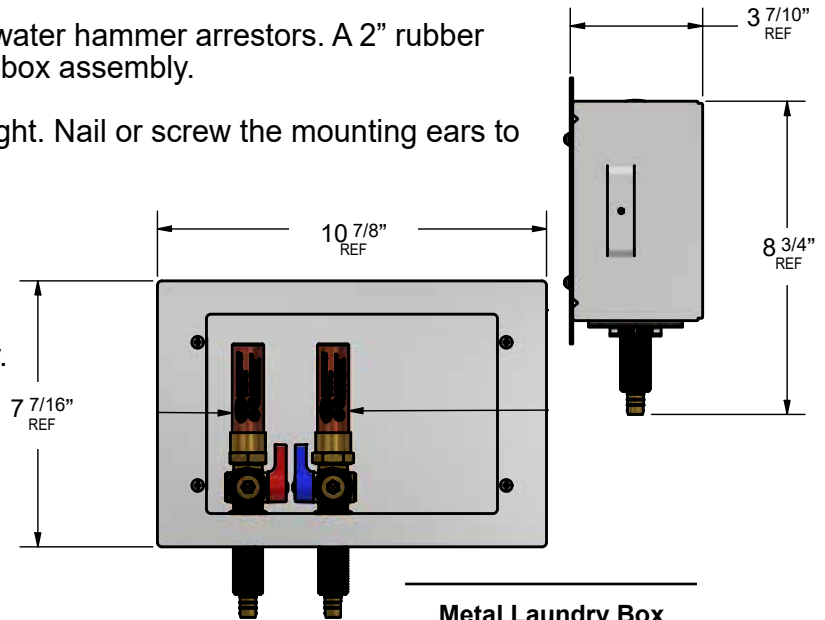
Position the box between studs to desired height. Nail or screw the mounting ears to the studs.

Slide the box out until the front side of the box is flush with the first layer of sheetrock or fire board.

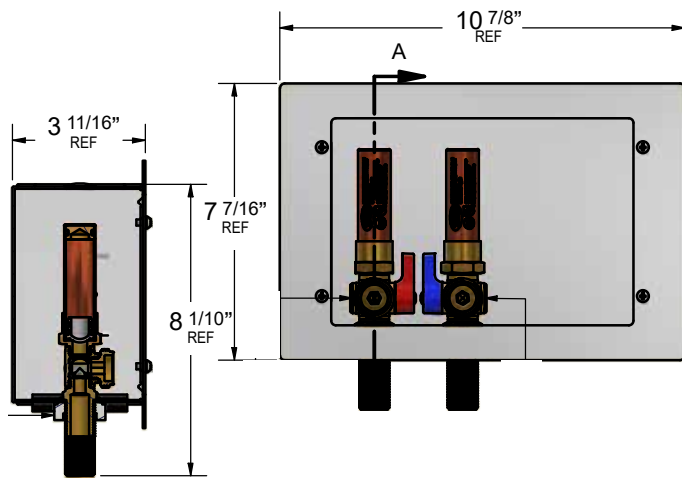
Tighten the screws in the mounting ears firmly. This must be done prior to sheetrock installation. Sheetrock thickness (3/8", 1/2", 5/8").

Install drain pipe.

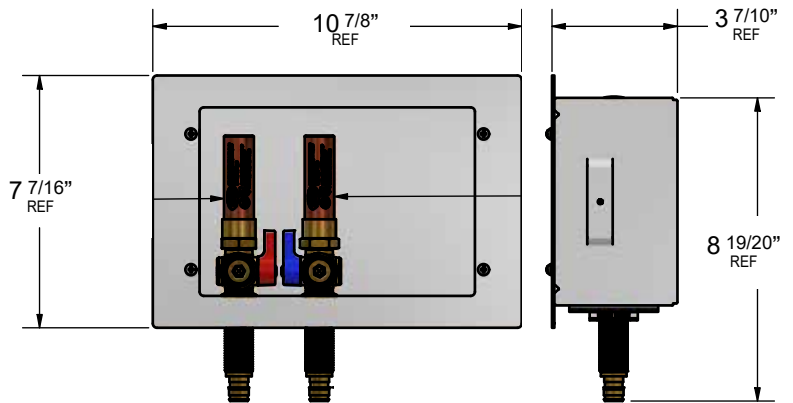
Make plumbing connections to both the hot and cold valves.



**Metal Laundry Box
with PEX Fitting
MM-500MLB-PEX**



**Metal Laundry Box
MM-500MLB**



**Metal Laundry Box
with PEX19 Fitting
MM-500MLB-PEX19**



Precision Plumbing Products
Division of JL Industries, Inc.

802 SE 199th Ave
Portland, Oregon 97233
T (503) 256-4010
F (503) 253-8165
www.pppinc.net

