



Precision Plumbing Products

"Specify with Confidence - Install with Pride"

PLASTIC LAUNDRY BOXES WITH WATER HAMMER ARRESTORS

Plastic Laundry Boxes

www.pppinc.net



MM-500PLB



MM-500PLB-PEX



MM-500PLB-PEX19

Precision Plumbing Products has designed a plastic laundry box assembly that makes your installation simple and cost effective. Solenoid operated laundry equipment can create destructive water hammer due to quick closing valves on the fill cycle. Water hammer can damage or even break your hose connections as well as destroy the solenoid valve. To avoid this common household problem hook your washing machine hose connectors to the quarter turn ball valve in our laundry box assembly with water hammer arrestors and rest easy.

Boxes are supplied with water hammer arrestors and quarter turn valves. Boxes include necessary mounting brackets and faceplate. Plastic boxes are molded from high impact polystyrene and include a 2" female outlet for drain connection. (Note: Box dimensions may vary slightly from drawings).

NSF/ANSI 61 Certified.

Project: \_\_\_\_\_

Contractor: \_\_\_\_\_

Engineer: \_\_\_\_\_

Date Submitted: \_\_\_\_\_

Prepared By: \_\_\_\_\_



JL Industries, Inc.

Precision Plumbing Products

Division of JL Industries, Inc.

802 SE 199th Ave
Portland, Oregon 97233
T (503) 256-4010
F (503) 253-8165
www.pppinc.net



**SPECIFICATIONS & INSTALLATIONS**

**INSTALLATION:**

The Laundry Box is supplied with valves and water hammer arrestors. The plastic box has a 2" DWV female fitting where the drain pipe should be pushed through and solvent welded into the plastic tailpiece.

Position the box between studs to desired height. Nail or screw the mounting ears to the studs.

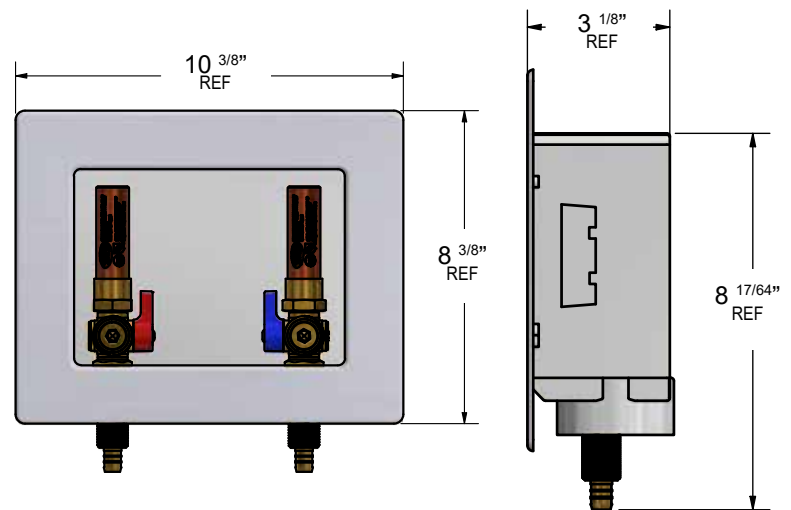
Slide the box out until the front side of the box will be flush with the first layer of sheetrock or fire board.

Tighten the mounting ears screws firmly. This must be done prior to sheetrock installation. Sheetrock thickness (3/8", 1/2", 5/8").

Install drain pipe.

Make plumbing connections to both the hot and cold valves.

**USE CAUTION WHEN APPLYING HEAT DURING THE PLASTIC LAUNDRY BOX INSTALLATION.**

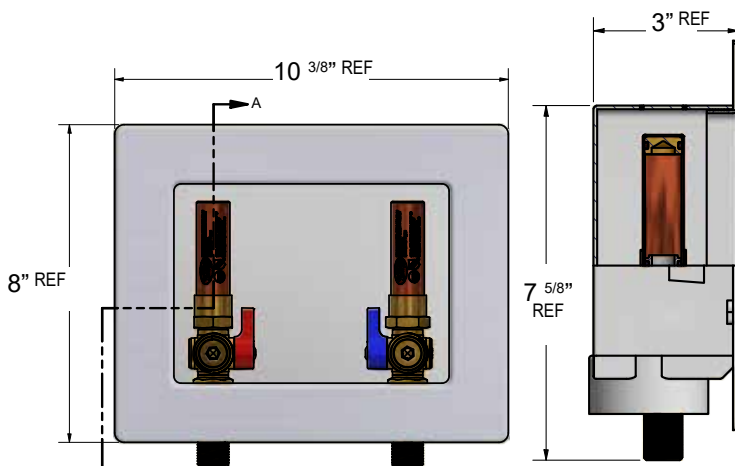


**Plastic Laundry Box  
w/PEX Fittings**

**MM-500PLB-PEX**

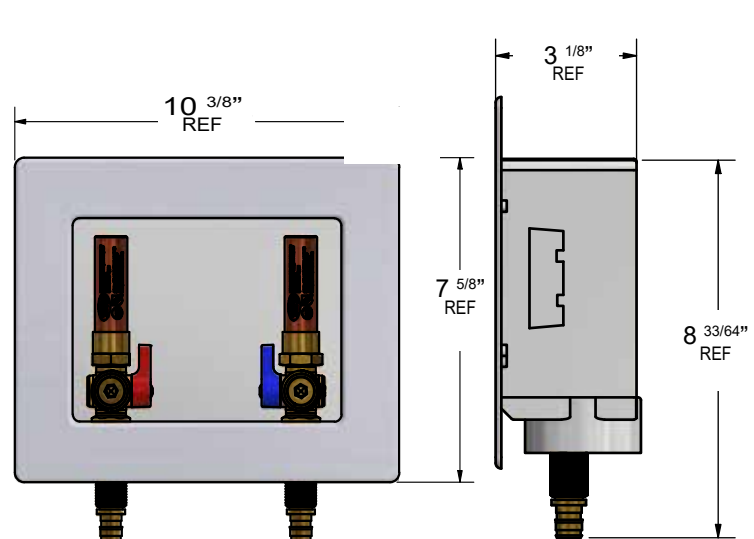
**Plastic Laundry Box**

**MM-500PLB**



**Plastic Laundry Box  
w/PEX19 Fittings**

**MM-500PLB-PEX19**



**Precision Plumbing Products**

802 SE 199th Ave  
Portland, Oregon 97233  
T (503) 256-4010  
F (503) 253-8165  
www.pppinc.net

