

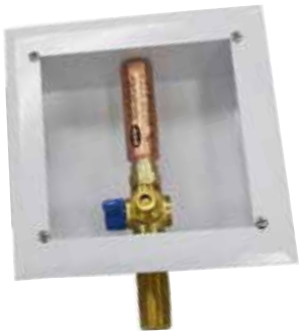


**Precision Plumbing Products**  
*"Specify with Confidence - Install with Pride"*

**LEAD FREE**

**METAL ICE MAKER BOXES**

**Metal Ice Maker Boxes**



**MM-500MIMB**



**MM-500MIMB-PEX**



**MM-500MIMB-PEX19**

Boxes are supplied with a water hammer arrestor and shut off valve. Boxes include necessary mounting brackets and faceplate. Metal boxes are constructed of 20 gauge steel with a white powder coat. (Note: Box dimensions may vary slightly from drawings).

**Precision Plumbing Products** has designed a plastic/metal Ice maker box assembly that makes your installation simple and cost effective. Because solenoid operated equipment can create destructive water hammer, by adding the Ice maker box assembly you are protecting your equipment as well as insuring against premature replacement. The box is designed to mount to studs and recess in the wall behind the refrigerator. The water line for the ice maker is secured directly to the fitting. The quarter turn ball valve faces forward to eliminate potential hose crimp, a common problem with other applications.

**NSF/ANSI 61 Certified**

**No Access Panel Required.**

**Project:** \_\_\_\_\_

**Contractor:** \_\_\_\_\_

**Engineer:** \_\_\_\_\_

**Date Submitted:** \_\_\_\_\_

**Prepared By:** \_\_\_\_\_



**JL Industries, inc.**

**Precision Plumbing Products**

Division of JL Industries, Inc.

802 SE 199th Avenue  
 Portland, Oregon 97233

T (503) 256-4010  
 F (503) 253-8165

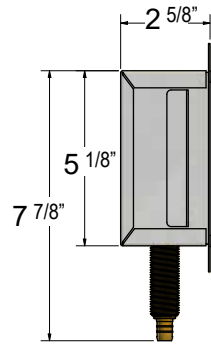
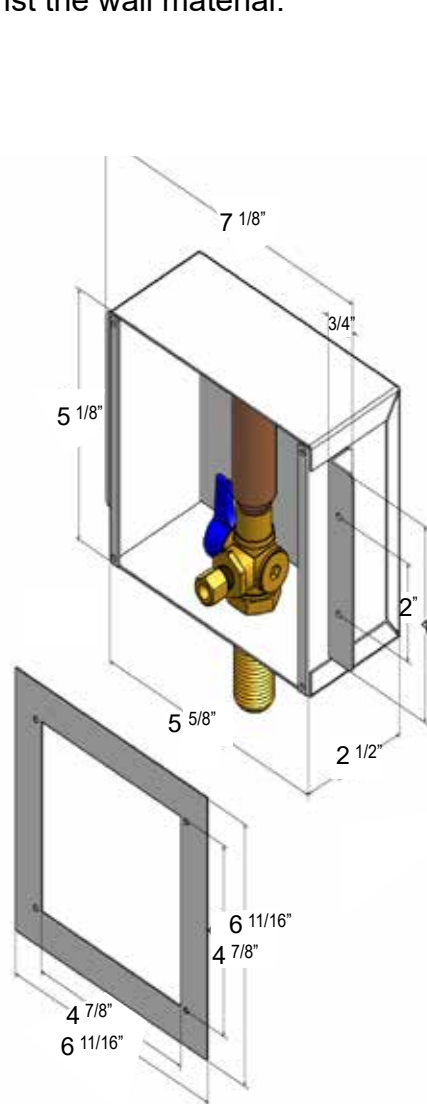
www.pppinc.net



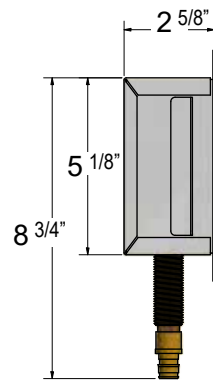
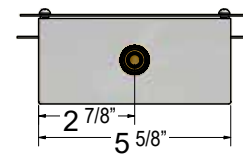
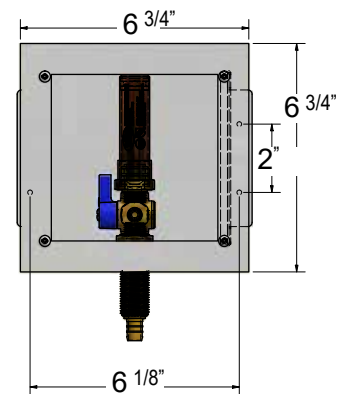
**SPECIFICATIONS & INSTALLATIONS**

**INSTALLATION:**

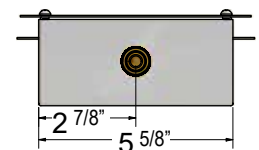
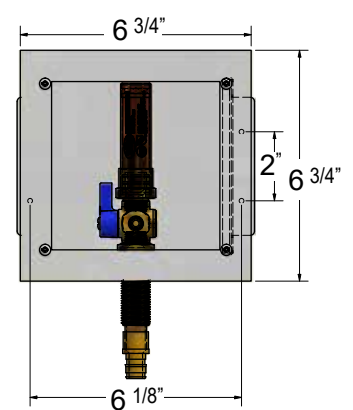
- 1) Position box between studs to desired height.
- 2) Secure box to a backing board or to the front of studs. The front of the box should be flush with the wall material.
- 3) Connect the cold water supply to the valve.
- 4) Install face plate by pushing plate into box until plate is flush against the wall material.



**Metal Ice Maker Box with PEX Fitting**



**Metal Ice Maker Box with PEX19 Fitting**



**JL Industries, Inc.**

**Precision Plumbing Products**

Division of JL Industries, Inc.

802 SE 199th Avenue  
Portland, Oregon 97233

T (503) 256-4010  
F (503) 253-8165

www.pppinc.net

