

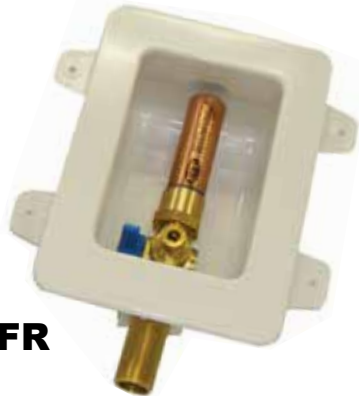


Precision Plumbing Products

"Specify with Confidence - Install with Pride"

FIRE RATED PLASTIC ICE MAKER BOXES WATER HAMMER ARRESTORS

Fire Rated Plastic Ice Maker Boxes



MM-500PIMBFR



MM-500PIMBFR-PEX



MM-500PIMBFR-PEX19

Precision Plumbing Products has designed a fire rated Ice maker box assembly that makes your installation simple and cost effective. Solenoid operated equipment can create destructive water hammer due to quick closing valves on the fill cycle. Water hammer can damage or even break your hose connections as well as destroy the solenoid valve. To avoid this common household problem hook your washing machine hose connectors to the quarter turn ball valve in our ice maker box assembly with water hammer arrestor and rest easy.

Boxes are 1 and 2 hour fire rated and include a 1/4" thick intumescent pad for fire protection. They are constructed of fire resistant PVC and include a deep faceplate that accepts up to two sheets of 5/8" drywall. Boxes are supplied with quarter turn valves and water hammer arrestors are certified to ASSE 1010. Warnock Hersey tested to ASTM E814, CAN/ULC S115. (Note: Box dimensions may vary slightly from drawings). NSF/ANSI 61 Certified.

Project: _____

Contractor: _____

Engineer: _____

Date Submitted: _____

Prepared By: _____



JL Industries, inc.

Precision Plumbing Products

Division of JL Industries, Inc.

802 SE 199th Ave
Portland, Oregon 97233
T (503) 256-4010
F (503) 253-8165
www.pppinc.net



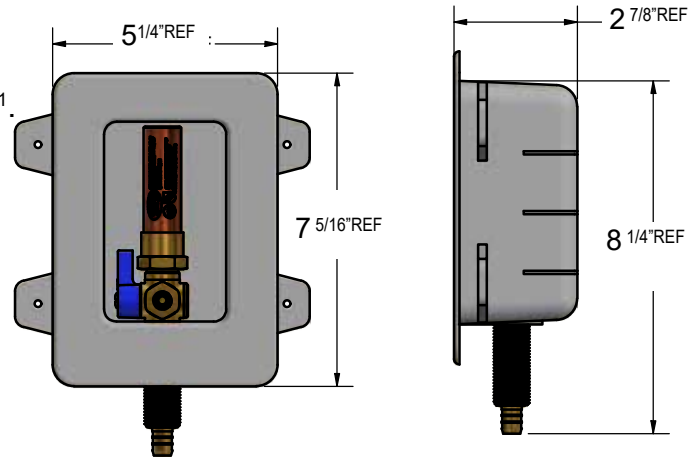
SPECIFICATIONS & INSTALLATIONS

INSTALLATION:

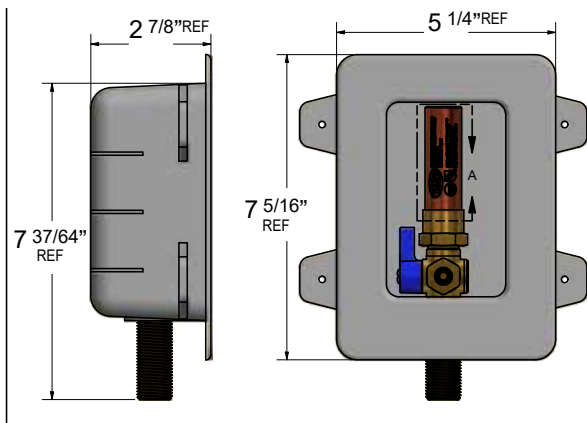
1. Position the box against the stud at the desired height¹.
2. Use two nails or screws per bracket to secure the fire-rated icemaker box to the front side of studs.
3. Connect the valves to the supply line.
4. When installing drywall², cut an 3-15/16" wide by 5-5/16" high opening to allow for the box. Any gap between the drywall and side of box must be filled with drywall compound.
5. Insert the faceplate into the box and press it flush with the drywall.

****Notes:**

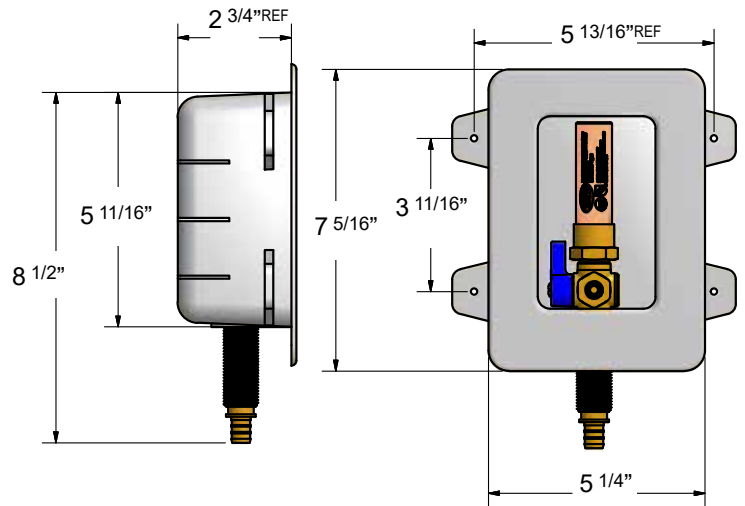
1. Do not install two boxes back to back.
2. For a 1 or 2 hour fire rating, the FireRated Icemaker box must be installed in the corresponding Gypsum board. The wall cavity must have a min. 3-1/2" cavity depth.
3. Store FireRated Icemaker Boxes in a cool, dry and protected place.
4. Assembly tested to ASTM E 814.
5. Product certified for both metal and wood studs.



Plastic Fire Rated Ice Maker Box with PEX Fitting
MM-500PIMBFR-PEX



Plastic Fire Rated Ice Maker Box
MM-500PIMBFR



Plastic Fire Rated Ice Maker Box with PEX19 Fitting
MM-500PIMBFR-PEX19



JL Industries, Inc.

Precision Plumbing Products

Division of JL Industries, Inc.

802 SE 199th Ave
Portland, Oregon 97233
T (503) 256-4010
F (503) 253-8165
www.pppinc.net

