



Precision Plumbing Products

"Specify with Confidence - Install with Pride"

FIRE RATED PLASTIC LAUNDRY BOXES WATER HAMMER ARRESTORS

Fire Rated Plastic Laundry Boxes



MM-500PLBFR



MM-500PLBFR-PEX



MM-500PLBFR-PEX19

Precision Plumbing Products has designed a fire rated Laundry and Ice maker box assembly that makes your installation simple and cost effective. Solenoid operated equipment can create destructive water hammer due to quick closing valves on the fill cycle. Water hammer can damage or even break your hose connections as well as destroy the solenoid valve. To avoid this common household problem hook your washing machine hose connectors to the quarter turn ball valve in our laundry box assembly with water hammer arrestors and rest easy.

Boxes are 1 and 2 hour fire rated and include a 1/4" thick intumescent pad for fire protection. They are constructed of fire resistant PVC and include a deep faceplate that accepts up to two sheets of 5/8" dry-wall. Boxes are supplied with quarter turn valves and water hammer arrestors are certified to ASSE 1010. Right, left, or center drain with knockout test cap. Warnock Hersey tested to ASTM E814, CAN/ULC S115. (Note: Box dimensions may vary slightly from drawings).

NSF/ANSI 61 Certified.

Project: _____

Contractor: _____

Engineer: _____

Date Submitted: _____

Prepared By: _____



Precision Plumbing Products

Division of JL Industries, Inc.

802 SE 199th Ave
Portland, Oregon 97233
T (503) 256-4010
F (503) 253-8165
www.pppinc.net



SPECIFICATIONS & INSTALLATIONS

INSTALLATION:

The Laundry Box is supplied with valves and water hammer arrestors. The plastic box has a 2" DWV female fitting where the drain pipe should be pushed through and solvent welded into the plastic tailpiece.

Position the box between studs to desired height. Nail or screw the mounting ears to the studs.

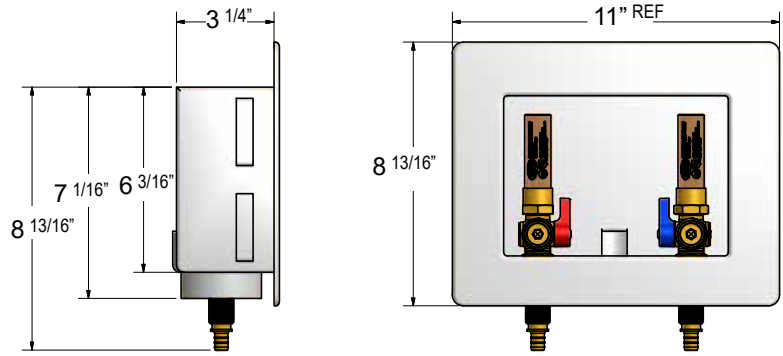
Slide the box out until the front side of the box will be flush with the first layer of sheetrock or fire board.

Tighten the mounting ears screws firmly. This must be done prior to sheetrock installation. Sheetrock thickness (3/8", 1/2", and 5/8").

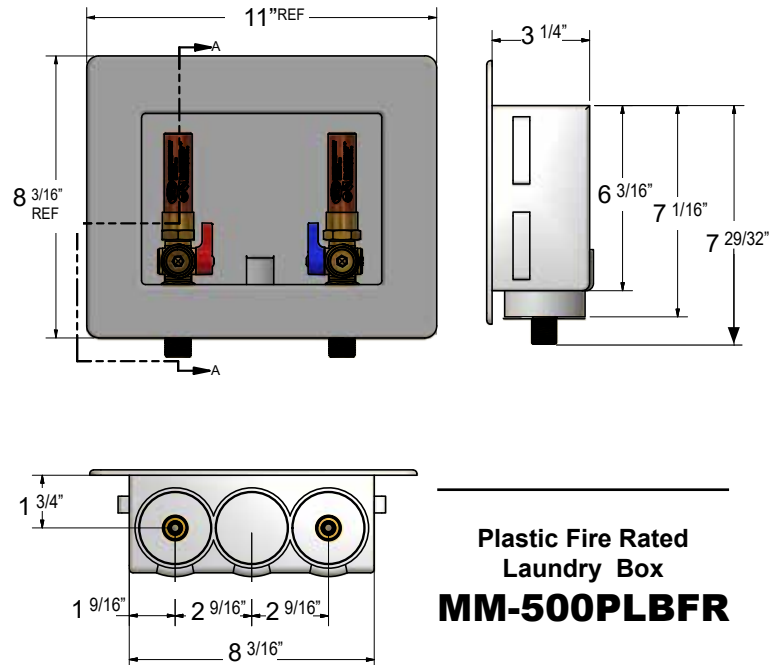
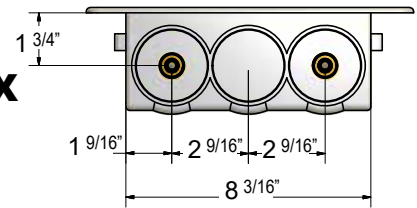
Install drain pipe.

Make plumbing connections to both the hot and cold valves.

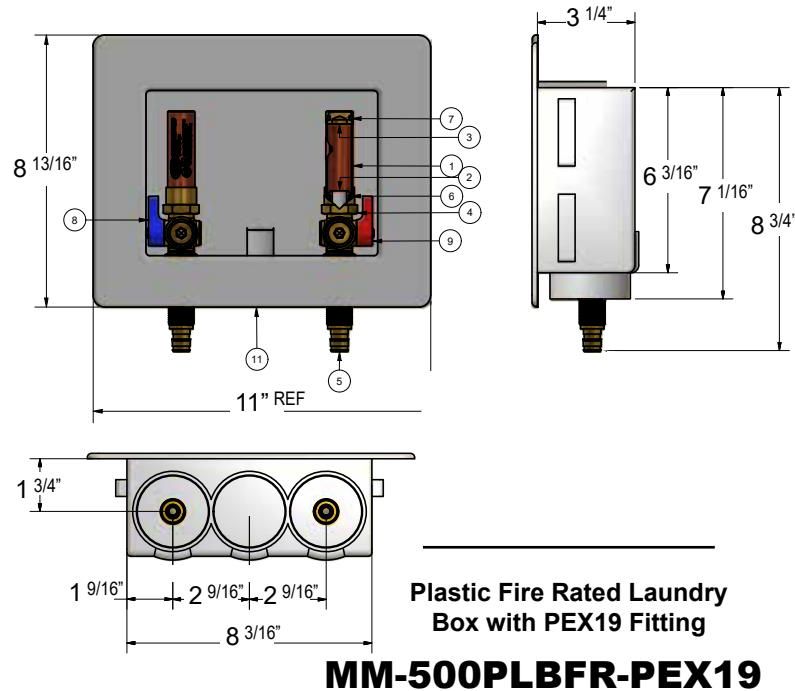
USE CAUTION WHEN APPLYING HEAT DURING THE PLASTIC LAUNDRY BOX INSTALLATION.



Plastic Fire Rated Laundry Box with PEX Fitting
MM-500PLBFR-PEX



Plastic Fire Rated Laundry Box
MM-500PLBFR



Plastic Fire Rated Laundry Box with PEX19 Fitting
MM-500PLBFR-PEX19



JL Industries, Inc.

Precision Plumbing Products

Division of JL Industries, Inc.

802 SE 199th Ave
Portland, Oregon 97233
T (503) 256-4010
F (503) 253-8165
www.pppinc.net

