

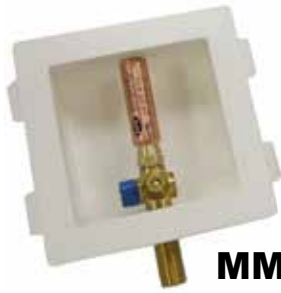


Precision Plumbing Products
"Specify with Confidence - Install with Pride"

LEAD FREE

PLASTIC ICE MAKER BOXES

Plastic Ice Maker Boxes



MM-500PIMB



MM-500PIMB-PEX



MM-500PIMB-PEX19

Boxes are supplied with a water hammer arrestor and shut off valve. Boxes include necessary mounting brackets and faceplate. Plastic boxes are molded from high impact polystyrene. (Note: Box dimensions may vary slightly from drawings).

Precision Plumbing Products has designed a plastic/metal Ice maker box assembly that makes your installation simple and cost effective. Because solenoid operated equipment can create destructive water hammer, by adding the Ice maker box assembly you are protecting your equipment as well as insuring against premature replacement. The box is designed to mount to studs and recess in the wall behind the refrigerator. The water line for the ice maker is secured directly to the fitting. The quarter turn ball valve faces forward to eliminate potential hose crimp, a common problem with other applications.

NSF/ANSI 61 Certified

No Access Panel Required.

Project: _____

Contractor: _____

Engineer: _____

Date Submitted: _____

Prepared By: _____



JL Industries, inc.

Precision Plumbing Products

Division of JL Industries, Inc.

802 SE 199th Avenue
 Portland, Oregon 97233

T (503) 256-4010
 F (503) 253-8165

www.pppinc.net



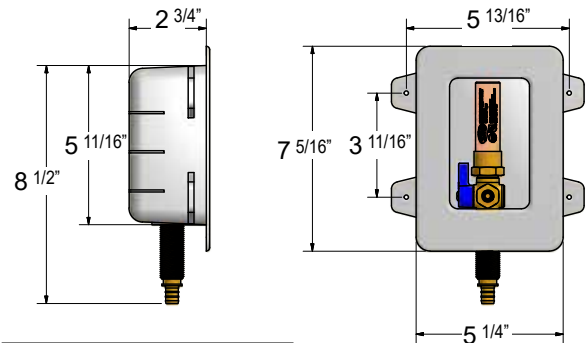
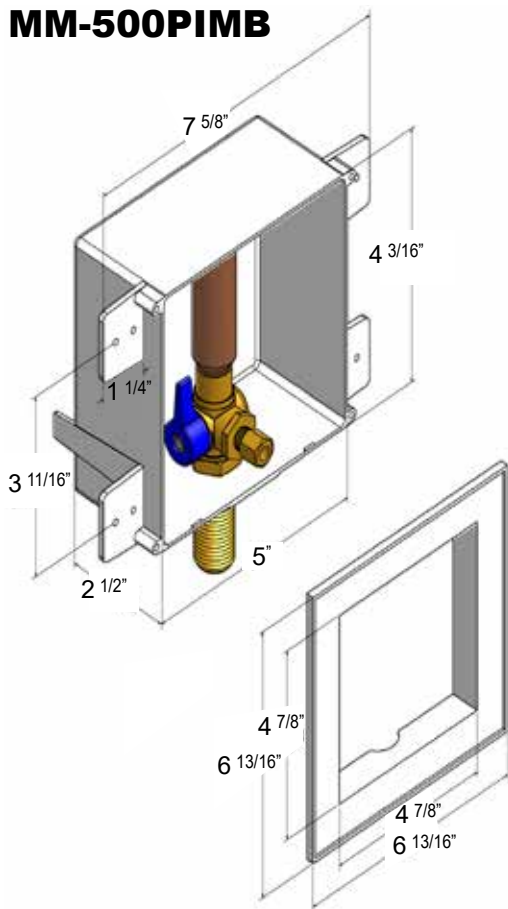
SPECIFICATIONS & INSTALLATIONS

INSTALLATION:

- 1) Position box between studs to desired height.
- 2) Secure box to a backing board or to the front of studs. The front of the box should be flush with the wall material.
- 3) Connect the cold water supply to the valve.
- 4) Install face plate by pushing plate into box until plate is flush against the wall material.

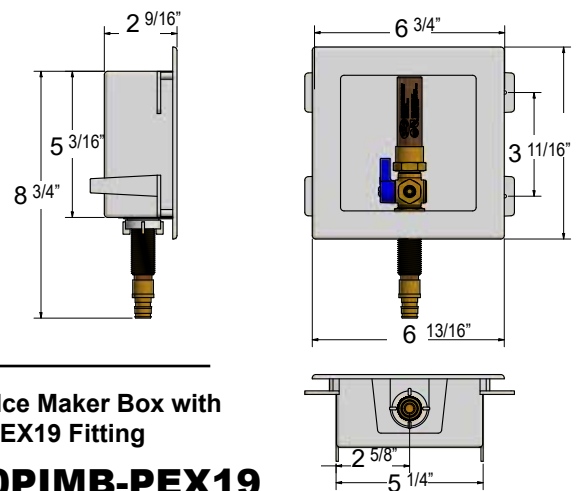
USE CAUTION WHEN APPLYING HEAT NEAR THE PLASTIC BOX.

MM-500PIMB



Plastic Ice Maker Box with PEX Fitting

MM-500PIMB-PEX



Plastic Ice Maker Box with PEX19 Fitting

MM-500PIMB-PEX19



JL Industries, Inc.

Precision Plumbing Products

Division of JL Industries, Inc.

802 SE 199th Avenue
Portland, Oregon 97233

T (503) 256-4010
F (503) 253-8165

www.pppinc.net

