



Precision Plumbing Products

"Specify with Confidence - Install with Pride"

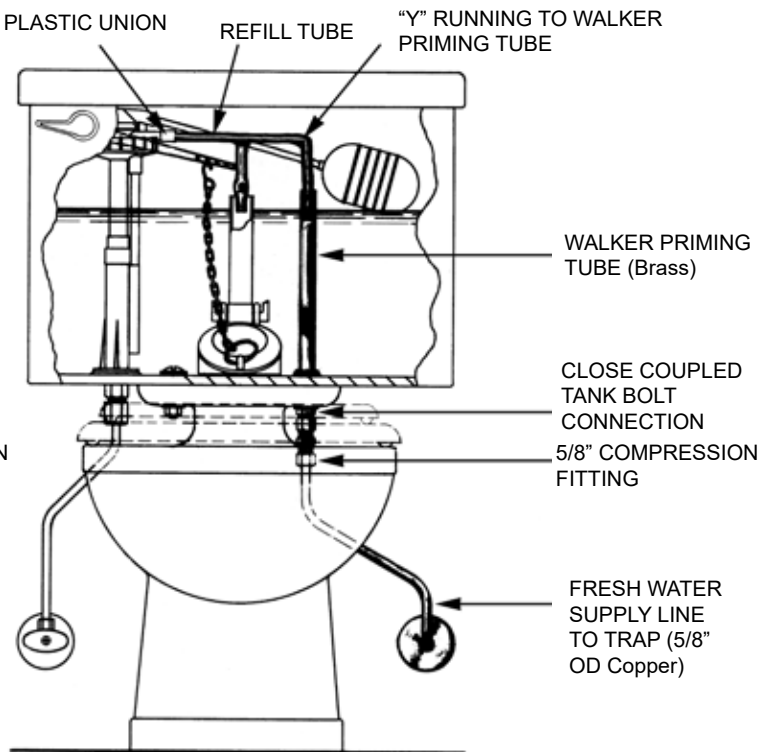
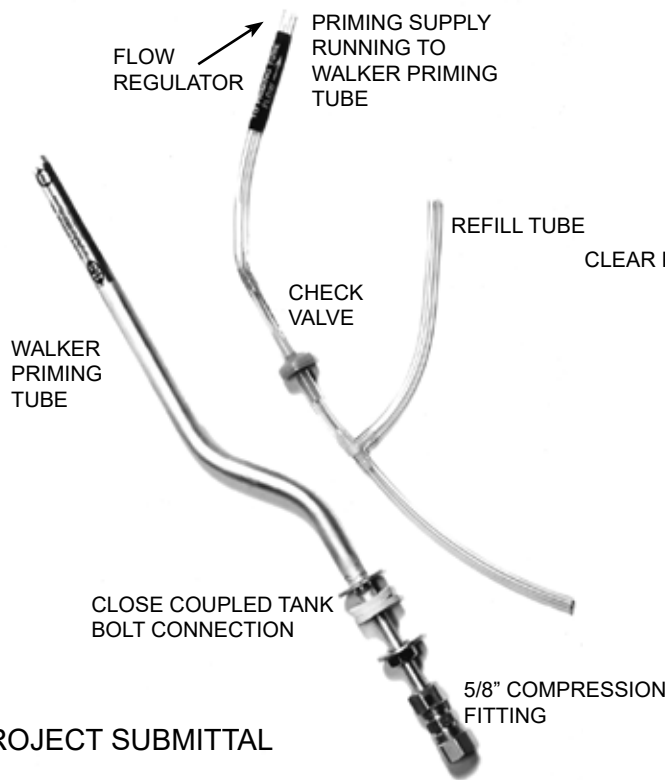
**WALKER
CLOSET PRIMER**

PART NO: WCP-1

Simple Installation.
All Plumbing Connections Provided
Manufactured from Brass and Plastic Tubing
Simple Retro-fit to Existing Installations.
Provides a Fresh Water Prime Each Time
the Toilet is Flushed.

The Walker Closet Primer is manufactured from brass parts with all parts provided for simple installation. This trap priming device provides approximately 2 ozs of fresh water per flush. The Walker Closet Primer is designed to prime one floor drain trap at a distance not to exceed twenty (20) feet from point of installation. It is recommended that a 5/8" OD copper make-up water line is run between the primer and the floor drain trap. Trap primer make-up line must have continuous slope to floor drain.

(Consult Local Code Requirements).



PROJECT SUBMITTAL

Project: _____
 Contractor: _____
 Engineer: _____
 Date Submitted: _____
 Prepared By: _____



JL Industries, inc.

Precision Plumbing Products

Division of JL Industries, Inc.
802 SE 199th Avenue
Portland, Oregon 97233
T (503) 256-4010
F (503) 253-8165

www.pppinc.net

